

Changzhou Xinyu Tianli Lighting Factory

October 31, 2011

RDW rijksdienst voor het wegverkeer
Certification and Supervision
Europaweg 205
2700 AT Zoetermeer
The Netherlands



Subject for ECE-type approval

Dear Sir:

We hereby apply for type approval according to:

Function	ECE approval number	EEC approval number
Filament bulb (H7)	E4-37R-032AL extension 1	---

Trade name or trade mark : **TAILI LAMP**

Manufacturer's name for type of device : 12VH7

Name and address of manufacturer : Changzhou Xinyu Tianli Lighting Factory
Luxi Village, Lujiaxiang, Niutang Town,
Wujin District, Changzhou City, Jiangsu Province,
213168, China

We herewith declare that we have not applied and will not apply for approval with another Contracting Party of the ECE for the same type of product. Nor has any other member state granted a corresponding approval.

Sincerely

Signature:



.....
Name: Mr. Xu Yimin / General Manager



THE NETHERLANDS
(N E D E R L A N D)

COMMUNICATION

Concerning⁽¹⁾:

- ~~APPROVAL GRANTED~~
- ~~APPROVAL EXTENDED~~
- ~~APPROVAL REFUSED~~
- ~~APPROVAL WITHDRAWN~~
- ~~PRODUCTION DEFINITELY DISCONTINUED~~



of a type of filament lamp pursuant to Regulation number 37.

Approval No.: E4-37R-03 2AL

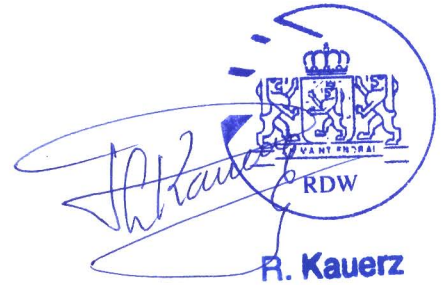
Extension No.: 01

Approval mark:

2AL

1. Trade name or mark of the device : TAILI LAMP
2. Manufacturer's name for the type of device : 12VH7
3. Manufacturer's name and address : Changzhou Xinyu Tianli Lighting Factory
Luxi Village, Lujiaxiang, Niutang Town, Wujin District,
Changzhou City, Jiangsu Province, 213168, China
4. If applicable, name and address of the manufacturer's representative : ---
5. Submitted for approval on : June 10, 2011
November 08, 2011
6. Technical service responsible for conducting approval tests : TÜV Rheinland Kraftfahrt GmbH
Technologiezentrum Verkehrssicherheit
Am Grauen Stein,
D-51105 Köln (Poll)
7. Date of report issued by that service : June 21, 2011
November 10, 2011
8. Number of report issued by that service : 85-R37-631/11
88-R37-385/11

9. Brief description
- Category of filament lamp : H7
- Rated voltage : 12V
- Rated wattage : 55W
- Colour of the light emitted : White / ~~selective yellow~~ / ~~amber~~ / ~~red~~⁽¹⁾
- Colour coating on glass bulb : Version B: yes / ~~no~~⁽¹⁾
Version C: ~~yes~~ / no⁽¹⁾
- Halogen filament lamp : yes / ~~no~~⁽¹⁾
10. Position of approval mark : on the rear side of bulb cap
11. Reason(s) for extension (if applicable) : addition of version B: sky blue color coating on glass bulb
12. Approval : ~~granted~~ / extended / ~~refused~~ / ~~withdrawn~~⁽¹⁾
13. Place : Zoetermeer
14. Date : 21-NOV-2011
15. Signature :



16. The following documents, bears the approval number shown above, are available on request.
- Information document
 - Test report

(1) Strike out what does not apply.

INFORMATION DOCUMENT
FOR THE TYPE APPROVAL OF FILAMENT LAMP ECE R37.03

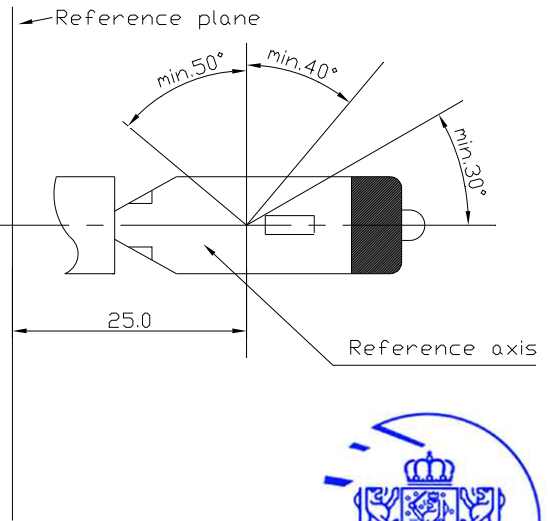
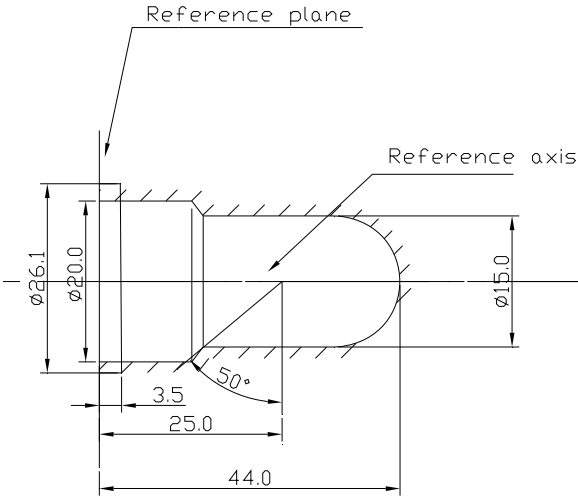
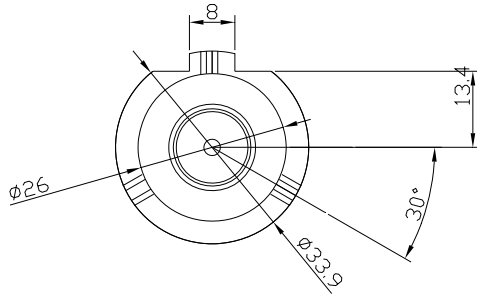
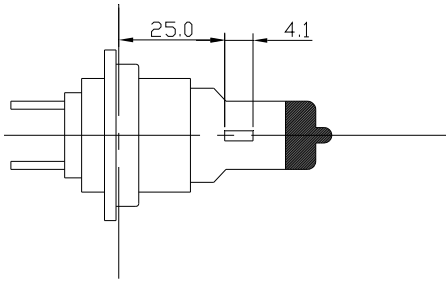
Reason for extension: To add a version which have sky blue color coating on the glass bulb

1. Trade name or mark : **TAILI LAMP**
2. Type : 12VH7
- Version : **B – Sky Blue color coating on glass bulb**
C – no color coating on glass bulb
3. Manufacturer's name and address : Changzhou Xinyu Tianli Lighting Factory
Luxi Village, Lujiaxiang, Niutang Town,
Wujin District, Changzhou City, Jiangsu Province,
213168, China
4. Name and address of manufacturer's representative : Not Applicable
5. Application date : As before and October 31, 2011
6. Concise description:
- Category of filament lamp : H7
- Rated voltage and wattage : 12V 55W
- Colour of the light emitted : White/~~selective yellow/amber/red~~¹⁾
- Colour coating on glass bulb : **Version B: yes / ~~no~~**¹⁾
Version C: ~~yes~~ / no¹⁾
- Halogen filament lamp : yes/~~no~~¹⁾
- Cap : PX26d (IEC Publication 60061 (sheet 7004-5-6))
7. Marking:
- Method : Circumscribe on the rear side of bulb cap
- Location : See the drawing

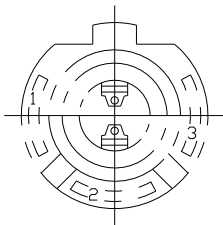


This information document consists of 2 pages

1): Delete where inapplicable



Marking details



1: trade name or mark	TAILI LAMP
2: E-mark	
3: type, category, rated voltage, wattage, UV-mark	12VH7 H7 12V 55W U
4: cap	PX26d

Manufacturer : Changzhou Xinyu Tianli Lighting Factory
Type : 12VH7

TEST REPORT

according to ECE-Regulation

Uniform provisions concerning the approval of filament lamps for use in approved lamp units of power-driven vehicles and of their trailers

ECE-R 37

including all amendments until

**series of Amendments: 03
Supplement 36**

Previously granted	
ECE - certificate	: E4-37R-032AL ext. 00

Structure of report:

0. General information
1. Test object(s) and general test information
2. Test minutes
3. Remarks concerning tested object(s)
4. Appendices
5. Statement of conformity

Manufacturer : Changzhou Xinyu Tianli Lighting Factory
Type : 12VH7

0. General information

- 0.1. Trademark or trade name of the lamp : TAILI LAMP
- 0.2. Manufacturer's name for the type of the lamp : 12VH7
- 0.3. Name and address of the manufacturer : Changzhou Xinyu Tianli Lighting Factory
Luxi Village, Lujiaxiang, Niutang Town, Wujin District,
Changzhou City, Jiangsu Province, 213168, China
- 0.4. Name and address of manufacturer's authorized representative : not applicable
- 0.5. No. of information folder : 12VH7-01
date of issue : May 06, 2011
date of last amendment : October 31, 2011

1. Test object(s) and general test information

- 1.1. Test object(s)
- identification number : ---
- version : not applicable
- Samples : 5 pieces
- Remark : ---
- 1.2. General test information
- 1.2.1. Order issued by (if different from manufacturer) : ---
- 1.2.2. Test object / test vehicle received on : not applicable
- 1.2.3. Test date : June 10, 2011
November 08, 2011
- 1.2.4. Test site : Baoji, China
- 1.2.5. Remark : The results of the test refer exclusively to the object(s) mentioned under point 1.1 of this report.

Manufacturer : Changzhou Xinyu Tianli Lighting Factory
 Type : 12VH7

2. Test minutes

2.1. Test facilities : The test facilities are in compliance with the requirements of the Regulation.

2.2. Test results : The filament lamp had been tested, regarding the exterior characteristics, geometrical position of filament, shape and its electrical and photometric characteristics.

2.2.1 Markings : The trade names / ~~commercial descriptions~~, category of filament lamp, rated voltage and rated wattage are marked clearly legible and indelible on the cap of the filament lamp..

The approval mark is arranged on the filament lamp as described in the technical description and drawings.

2.3. General specifications : The filament lamp is designed as to be and to remain in good working order when in normal use. The tested samples moreover did exhibit no fault in design or manufacture.

2.4. Manufacture : The filament lamp samples did exhibit no scores or spots which might impair their efficiency and their optical performance.

The filament lamps are equipped with standard caps complying with the cap data sheets of IEC Publication 60061, third edition, as specified of the individual lamp data sheet of annex 1 in ECE-R37.

The cap is strong and firmly secured to the bulb.

2.5. Test conducted : The filament lamp samples had been aged at their test voltage for approximately one hour.

The position and dimensions of the filaments had been measured with the filament lamps being supplied with current at from 90% to 100% of the test voltage.

Electrical and photometric characteristics (for version C: no color coating on glass bulb)

	Sample No.					Rated values
	1	2	3	4	5	
Voltage (V)	13.2000					13.2V
Current (A)	4.342	4.363	4.288	4.344	4.324	/
Wattage (W)	57.31	57.59	56.60	57.34	57.08	58 max.
Luminous flux (Lm)	1574	1594	1353	1356	1531	1500±10%

Manufacturer : Changzhou Xinyu Tianli Lighting Factory
 Type : 12VH7

Electrical and photometric characteristics (for version B: sky blue color coating on glass bulb)

	Sample No.					Rated values
	1	2	3	4	5	
Voltage (V)	13.2000					13.2V
Current (A)	4.295	4.283	4.282	4.304	4.308	/
Wattage (W)	56.69	56.54	56.52	56.81	56.87	58 max.
Luminous flux (Lm)	1464	1472	1486	1516	1513	1500±10%

The requirements regarding the maximum wattage and allowable minimum and maximum luminous flux values had been met.

2.6. Colour : The filament lamps have uncoloured bulbs / **sky blue color coating on glass bulb**. The samples fulfil the requirement according to Par. 3.6 of the Regulation.

2.7. UV-radiation : Set of criteria k_1 and k_2 for validation of UV radiation according to Par. 3.7 of the Regulation.

sample No.	1	2	3	4	5
$k_1(\leq 2 \times 10^{-4})$ W/lm	0.9×10^{-4}	0.8×10^{-4}	0.8×10^{-4}	0.8×10^{-4}	0.8×10^{-4}
$k_2(\leq 2 \times 10^{-6})$ W/lm	1.3×10^{-6}	1.3×10^{-6}	1.2×10^{-6}	1.2×10^{-6}	1.2×10^{-6}

The requirements regarding the UV-radiation had been met.

2.8. Position and dimensions of filament lamp

Dimensions	Measurements in mm for sample No.					Rated values
	1	2	3	4	5	
e	25.04	25.02	25.11	24.96	24.99	tolerance box
f	3.95	4.29	4.11	4.31	4.31	tolerance box
g1	0.83	0.83	0.64	0.97	1.04	0.5 min
g2	0.91	0.82	0.62	0.89	1.13	0.5 min
h1FH	0.13	0.13	0.11	0.03	0.05	tolerance box
h1FV	0.09	0.04	0.01	0.05	0.13	tolerance box
h2FH	0.23	0.12	0.16	0.01	0.09	tolerance box
h2FV	0.11	0.07	0.08	0.07	0.21	tolerance box
γ_1	57.3	57.8	56.9	59.9	59.6	40° min.
γ_2	53.3	51.3	51.9	53.3	58.7	50° min.
γ_3	32.7	32.2	33.1	31.1	31.4	30° min.

The requirements regarding the prescribed dimensions and tolerances had been met.

Manufacturer : Changzhou Xinyu Tianli Lighting Factory
Type : 12VH7

3. Remark concerning tested object(s)

All versions of the filament lamp type as stated in the information document are covered with the filament lamp version(s) and test object(s) respectively.

4. Appendices

0 List of modifications

Information folder no. : 12VH7-01 (2 pages)

5. Statement of conformity

The information folder and the type described there comply with the requirements in the above mentioned regulation.

The test laboratory is accredited for the above mentioned tests by the RDW, Vehicle Technology and Information Centre, the Netherlands:

Accreditation Number: RDW-99050014-05.

The test report comprises the pages 1 to 6 (including appendix 0) and shall not be reproduced except in full without the written approval of the test laboratory.

Cologne, November 10, 2011
ND



B.S.M.E. N.Deng

Manufacturer : Changzhou Xinyu Tianli Lighting Factory
Type : 12VH7

List of modifications

Appendix 0

Correction of : ---

Modification of : ---

Addition of : Version B: sky blue color coating on glass bulb

Deletion of : ---